



ROCKMORE
INTERNATIONAL
Rock Drilling Tools



X TUBELESS X

DTH HAMMER

ROK 65T-360T-001

3-1/2" API Reg Pin
Tubeless (Bit without Blow Tube)
Top Sub With Back Reaming Buttons
Heavy Duty Diameter

Recommended Bit Diameter
165 - 178mm [6.5" - 7.0"]

TUBELESS DESIGN (UTILIZES BIT WITHOUT BLOW TUBE / FOOT VALVE)

Features:

- Ultra High Performance Design
- Tubeless (utilizes Bit without Blow Tube / Foot Valve), eliminating breakage of plastic parts
- Operates With Standard IR 360 Shank Design Without Blow Tube / Foot Valve
- High Efficiency Against Large Volumes of Water
- Integrated SonicFlow Technology
- Patented Innovations
- Superior Penetration Rates
- Reduced Number of Components
- Easy Assembly / Maintenance
- Advanced Materials / Heat-Treatment
- Extended Service Life



Standard IR 360 Bit shank without Blow Tube / Foot Valve

Rockmore's ROK 65T DTH hammer utilizes a bit without a plastic blow tube / foot valve. The corresponding 360T bit shank operates with no blow tube / foot valve. To operate the hammer with a standard IR 360 bit shank, simply remove the blow tube / foot valve.

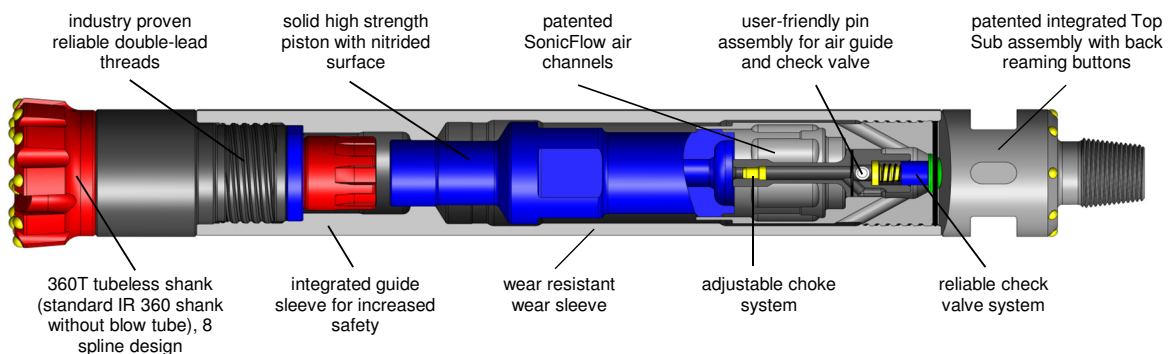
SonicFlow Technology greatly improves the air flow characteristics within the ROK hammer and ensures that the high pressure air paths are optimized to deliver greater energy to the piston. This is achieved by incorporating scientific air flow concepts in the design of the hammer and its various components such as the Top Sub, Piston, and Wear Sleeve. This technology results in more impact energy to the bit and produces higher penetration rates and better overall hammer performance.



Applications:

- Mining / Blast Hole
- Construction / Quarry
- Water-Well
- Geothermal

Innovative Design Features



ROCKMORE International, Inc. 10065 S.W. Commerce Circle; Wilsonville, OR 97070, USA
Tel: +1-503-682-1001; Fax: +1-503-682-1002; info@rockmore-intl.com

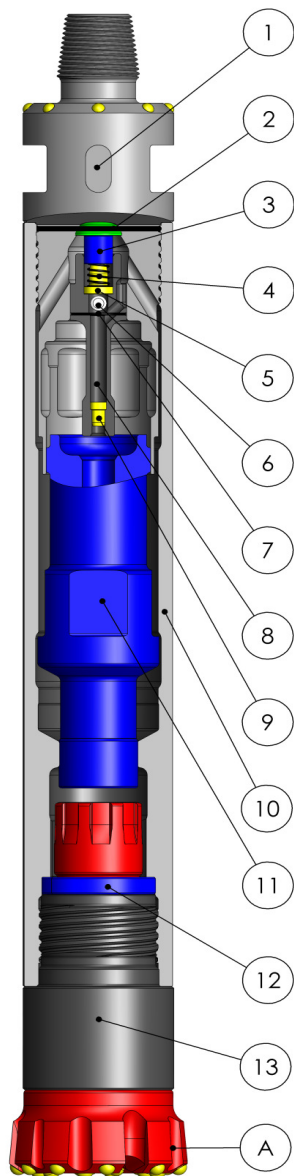
ROCKMORE International GmbH Collini - Strasse 2; A-8750 Judenburg - Austria
Tel: +43 3572 86 300-0; Fax: +43 3572 84 179; austria@rockmore-intl.at

www.rockmore-intl.com

Rev. 10-28-19

X TUBELESS X**ROCKMORE
INTERNATIONAL**

Rock Drilling Tools

SONICFLOW**Integrated SonicFlow
Technology****ROK 65T-360T-001**

Patented

Parts List

Item	Part Number	Description
	ROK 65T-360T-001	DTH Hammer, 65T, 360T, 3-1/2" API Reg Pin, Tubeless (Bit without Blow Tube / Foot Valve)
1	650TS-001	Top Sub, 3-1/2" API Reg Pin with Back Reaming Buttons
2	R2-349	O-Ring, 4.475" X 0.210"
3	CV-002	Check Valve, Rubber
4	SP-001	Spring
5	SR-002	Spring Rest
6	PN-001	Pin, 0.625" Dia, 4.5" L
7	R2-135	O-Ring, 1.925" X 0.103"
8	AG-001	Air Guide
9	CH-005	Choke, Nylon
10	650TWS-001	Wear Sleeve
11	PT-017	Piston
12	BR-018	Bit Retainer Ring
13	650DS-005	Driver Sub
A	DTH Bit	360T Tubeless Shank (Standard IR 360 without blow tube)
	CHSET-002	Choke Set, Nylon, 1 each of CH-006 - 1/16" (2mm), CH-007 - 1/8" (3mm), CH-008 - 3/16" (5mm)

Operating Parameters

Air Pressure	Air Consumption
10.4 Bar [150 PSI]	8.6 m ³ /min [305 SCFM]
17.2 Bar [250 PSI]	19.5 m ³ /min [689 SCFM]
24.1 Bar [350 PSI]	32.4 m ³ /min [1145 SCFM]
Oil consumption at 24.1 Bar (350 PSI):	0.7 l/hr [0.2 gallon/hr]
Recommended rotation speed:	15 r/min to 60 r/min
Minimum diameter difference between wear sleeve and bit:	12 mm [0.47"]

Technical Specifications

Standard Top Sub	3-1/2" API Reg Pin
Bit shank type	360T Tubeless Shank (IR 360 without Blow Tube / Foot Valve)
Recommended bit diameter, mm [in]	165 to 178 [6.5 to 7.0]
Outside diameter, mm [in]	149 [5.9]
Wear sleeve discard diameter, mm [in]	129 [5.1]
Wrench flat size on Top Sub, mm [in]	95 [3.74]
Length without drill bit, mm [in]	1150 [45.3]
Weight without drill bit, kg [lbs]	100 [220.6]

ROCKMORE
International, Inc.
10065 S.W. Commerce Circle
Wilsonville, OR 97070, USA
Tel: +1-503-682-1001
Fax: +1-503-682-1002
info@rockmore-intl.com

ROCKMORE
International GmbH
Collini - Strasse 2
A-8750 Judenburg - Austria
Tel: +43 3572 86 300-0
Fax: +43 3572 84 179
austria@rockmore-intl.at