



**ROCKMORE**  
INTERNATIONAL  
Rock Drilling Tools



**X TUBELESS X**

**DTH HAMMER**

**ROK 600T-002**

2-7/8" API Reg Pin  
Tubeless (Bit without Blow Tube)

Recommended Bit Diameter  
155 - 178mm [6.1" - 7.0"]

TUBELESS DESIGN (UTILIZES BIT WITHOUT BLOW TUBE / FOOT VALVE)

**Features:**

- Ultra High Performance Design
- Tubeless (utilizes Bit without Blow Tube / Foot Valve), eliminating breakage of plastic parts
- Operates With Standard QL6/QL60 Shank Design Without Blow Tube / Foot Valve
- High Efficiency Against Large Volumes of Water
- Integrated SonicFlow Technology
- Patented Innovations
- Superior Penetration Rates
- Reduced Number of Components
- Easy Assembly / Maintenance
- Advanced Materials / Heat-Treatment
- Extended Service Life



**Standard QL6/QL60 Bit shank without Blow Tube / Foot Valve**

Rockmore's ROK 600T DTH hammer utilizes a bit without a plastic blow tube / foot valve. The corresponding QL6T bit shank operates with no blow tube / foot valve. To operate the hammer with a standard QL6/QL60 bit shank, simply remove the blow tube / foot valve.

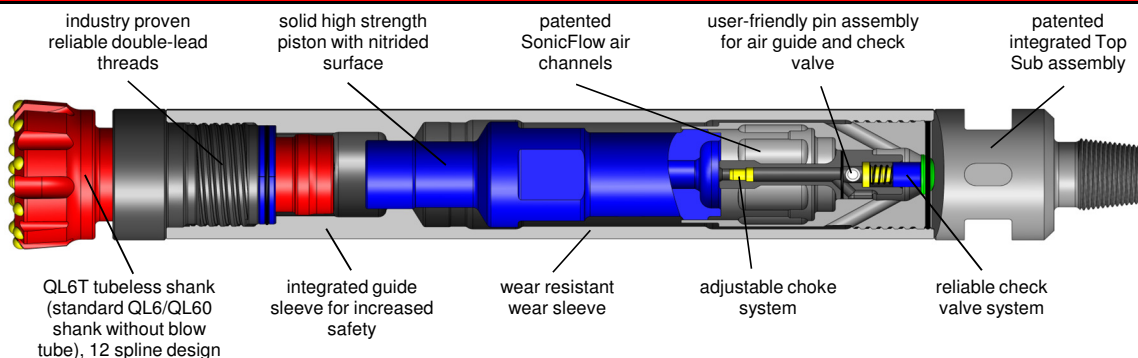
**SonicFlow Technology** greatly improves the air flow characteristics within the ROK hammer and ensures that the high pressure air paths are optimized to deliver greater energy to the piston. This is achieved by incorporating scientific air flow concepts in the design of the hammer and its various components such as the Top Sub, Piston, and Wear Sleeve. This technology results in more impact energy to the bit and produces higher penetration rates and better overall hammer performance.



**Applications:**

- Mining / Blast Hole
- Environmental
- Construction / Quarry
- Exploration
- Water-Well
- Geothermal

**Innovative Design Features**



ROCKMORE International, Inc. 10065 S.W. Commerce Circle; Wilsonville, OR 97070, USA  
Tel: +1-503-682-1001; Fax: +1-503-682-1002; info@rockmore-intl.com

ROCKMORE International GmbH Collini - Strasse 2; A-8750 Judenburg - Austria  
Tel: +43 3572 86 300-0; Fax: +43 3572 84 179; austria@rockmore-intl.at

www.rockmore-intl.com

Rev. 10-28-19

**X TUBELESS X**

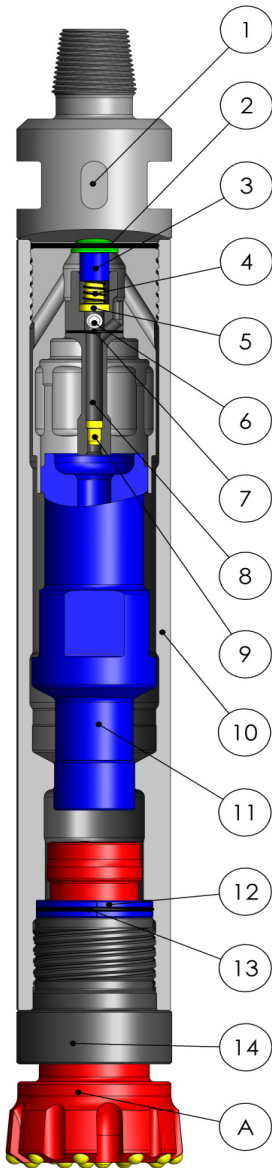


**ROCKMORE**  
INTERNATIONAL  
*Rock Drilling Tools*

**SONICFLOW**

**Integrated SonicFlow  
Technology**

# ROK 600T-002



Patented

## Parts List

Item	Part Number	Description
	ROK 600T-002	DTH Hammer, 600T, QL6T, 2-7/8" API Reg Pin, Tubeless (Bit without Blow Tube / Foot Valve)
1	600TS-002	Top Sub, 2-7/8" API Reg Pin
2	R2-349	O-Ring, 4.475" X 0.210"
3	CV-002	Check Valve, Rubber
4	SP-001	Spring
5	SR-002	Spring Rest
6	PN-001	Pin, 0.625" Dia, 4.5" L
7	R2-135	O-Ring, 1.925" X 0.103"
8	AG-001	Air Guide
9	CH-005	Choke, Nylon
10	600TWS-001	Wear Sleeve
11	PT-017	Piston
12	R2-236	O-Ring, 3.234" X 0.139"
13	BR-001	Bit Retainer Ring
14	600DS-001	Driver Sub
A	DTH Bit	QL6T Tubeless Shank (Standard QL6/QL60 without blow tube)
	CHSET-002	Choke Set, Nylon, 1 each of CH-006 - 1/16" (2mm), CH-007 - 1/8" (3mm), CH-008 - 3/16" (5mm)

## Operating Parameters

Air Pressure	Air Consumption
10.4 Bar [150 PSI]	8.6 m3/min [305 SCFM]
17.2 Bar [250 PSI]	19.5 m3/min [689 SCFM]
24.1 Bar [350 PSI]	32.4 m3/min [1145 SCFM]
Oil consumption at 24.1 Bar (350 PSI):	0.7 l/hr [0.2 gallon/hr]
Recommended rotation speed:	15 r/min to 60 r/min
Minimum diameter difference between wear sleeve and bit:	12 mm [0.47"]

## Technical Specifications

Standard Top Sub	2-7/8" API Reg Pin
Bit shank type	QL6T Tubeless Shank (QL6/QL60 without Blow Tube / Foot Valve)
Recommended bit diameter, mm [in]	155 to 178 [6.1 to 7.0]
Outside diameter, mm [in]	141 [5.6]
Wear sleeve discard diameter, mm [in]	129 [5.1]
Wrench flat size on Top Sub, mm [in]	95 [3.74]
Length without drill bit, mm [in]	1097 [43.2]
Weight without drill bit, kg [lbs]	81 [178.6]

ROCKMORE  
International, Inc.  
10065 S.W. Commerce Circle  
Wilsonville, OR 97070, USA  
Tel: +1-503-682-1001  
Fax: +1-503-682-1002  
info@rockmore-intl.com

ROCKMORE  
International GmbH  
Collini - Strasse 2  
A-8750 Judenburg - Austria  
Tel: +43 3572 86 300-0  
Fax: +43 3572 84 179  
austria@rockmore-intl.at