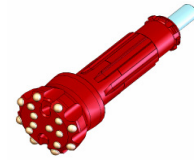




ROCKMORE
INTERNATIONAL
Rock Drilling Tools



3-1/2" API Reg Pin
Lower Air Consumption
Slim Line Diameter

DTH HAMMER

ROK 55A-350R-007

Recommended Bit Diameter
133 - 146mm [5.25" - 5.75"]



Features:

- Ultra High Performance Design
- Lower Air Consumption
- Higher Efficiency
- Integrated SonicFlow Technology
- Patented Innovations
- Superior Penetration Rates
- Reduced Number of Components
- Easy Assembly / Maintenance
- Advanced Materials / Heat-Treatment
- Extended Service Life

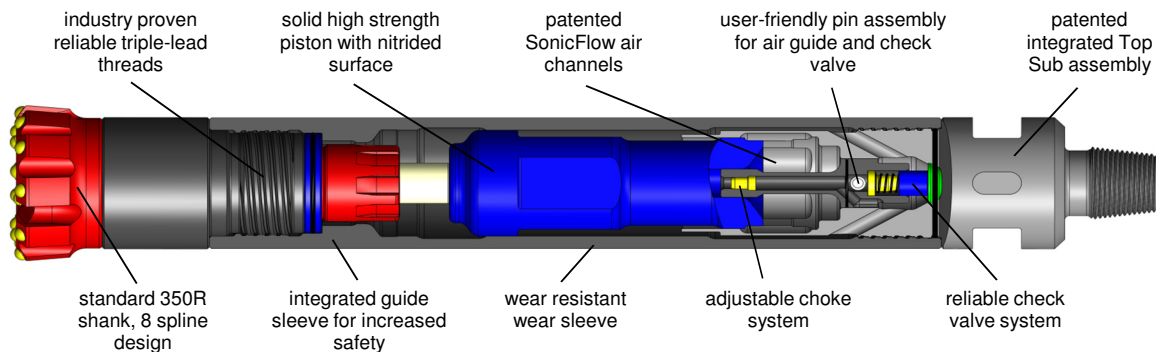
Applications:

- Mining / Blast Hole
- Construction / Quarry
- Water-Well
- Environmental
- Exploration
- Geothermal

SonicFlow Technology greatly improves the air flow characteristics within the ROK hammer and ensures that the high pressure air paths are optimized to deliver greater energy to the piston. This is achieved by incorporating scientific air flow concepts in the design of the hammer and its various components such as the Top Sub, Piston, and Wear Sleeve. This technology results in more impact energy to the bit and produces higher penetration rates and better overall hammer performance.



Innovative Design Features



ROCKMORE International, Inc. 10065 S.W. Commerce Circle; Wilsonville, OR 97070, USA
Tel: +1-503-682-1001; Fax: +1-503-682-1002; info@rockmore-intl.com

ROCKMORE International GmbH Collini - Strasse 2; A-8750 Judenburg - Austria
Tel: +43 3572 86 300-0; Fax: +43 3572 84 179; austria@rockmore-intl.at

www.rockmore-intl.com

Rev. 10-28-19

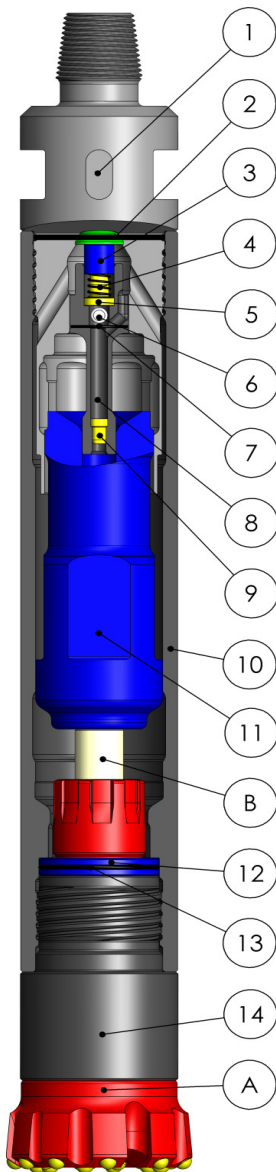


ROCKMORE
INTERNATIONAL
Rock Drilling Tools



**Integrated SonicFlow
Technology**

ROK 55A-350R-007



Patented

Parts List

| Item | Part Number | Description |
|------|------------------|---|
| | ROK 55A-350R-007 | DTH Hammer, 55A, 350R, 3-1/2" API Reg Pin, Slim Line |
| 1 | 500TS-014 | Top Sub, 3-1/2" API Reg Pin, Slim Line |
| 2 | R2-342 | O-Ring, 3.600" X 0.210" |
| 3 | CV-002 | Check Valve, Rubber |
| 4 | SP-001 | Spring |
| 5 | SR-002 | Spring Rest |
| 6 | PN-003 | Pin, 0.625" Dia, 3.5" L |
| 7 | R2-135 | O-Ring, 1.925" X 0.103" |
| 8 | AG-001 | Air Guide |
| 9 | CH-005 | Choke, Nylon |
| 10 | 500WS-011 | Wear Sleeve, Slim Line |
| 11 | PT-030 | Piston |
| B | BT350R-1004 | 350R Blow Tube |
| 12 | R2-234 | O-Ring, 2.984" X 0.139" |
| 13 | BR-013 | Bit Retainer Ring |
| 14 | 500DS-008 | Driver Sub, Slim Line |
| A | DTH Bit | 350R Shank |
| | CHSET-002 | Choke Set, Nylon, 1 each of CH-006 - 1/16" (2mm), CH-007 - 1/8" (3mm), CH-008 - 3/16" (5mm) |

Operating Parameters

| Air Pressure | Air Consumption |
|--|-------------------------------------|
| 10.4 Bar [150 PSI] | 5.5 m ³ /min [193 SCFM] |
| 17.2 Bar [250 PSI] | 14.4 m ³ /min [508 SCFM] |
| 24.1 Bar [350 PSI] | 23.7 m ³ /min [837 SCFM] |
| Oil consumption at 24.1 Bar (350 PSI): | 0.5 l/hr [0.13 gallon/hr] |
| Recommended rotation speed: | 20 r/min to 70 r/min |
| Minimum diameter difference between wear sleeve and bit: | 10 mm [0.39"] |

Technical Specifications

| | |
|---------------------------------------|---------------------------|
| Standard Top Sub | 3-1/2" API Reg Pin |
| Bit shank type | 350R |
| Recommended bit diameter, mm [in] | 133 to 146 [5.25 to 5.75] |
| Outside diameter, mm [in] | 119 [4.7] |
| Wear sleeve discard diameter, mm [in] | 109 [4.3] |
| Wrench flat size on Top Sub, mm [in] | 94 [3.7] |
| Length without drill bit, mm [in] | 1028 [40.5] |
| Weight without drill bit, kg [lbs] | 55.6 [122.5] |

ROCKMORE
International, Inc.
10065 S.W. Commerce Circle
Wilsonville, OR 97070, USA
Tel: +1-503-682-1001
Fax: +1-503-682-1002
info@rockmore-intl.com

ROCKMORE
International GmbH
Collini - Strasse 2
A-8750 Judenburg - Austria
Tel: +43 3572 86 300-0
Fax: +43 3572 84 179
austria@rockmore-intl.at