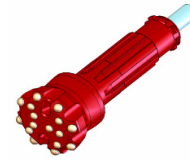




**ROCKMORE**  
INTERNATIONAL  
*Rock Drilling Tools*



3-1/2" API Reg Pin  
Top Sub With Back Reaming Buttons  
Lower Air Consumption

**DTH HAMMER**      **ROK 55A-350R-004**      **Recommended Bit Diameter**  
140 - 152mm [5.5" - 6.0"]



**Features:**

- Ultra High Performance Design
- Lower Air Consumption
- Higher Efficiency
- Integrated SonicFlow Technology
- Patented Innovations
- Superior Penetration Rates
- Reduced Number of Components
- Easy Assembly / Maintenance
- Advanced Materials / Heat-Treatment
- Extended Service Life

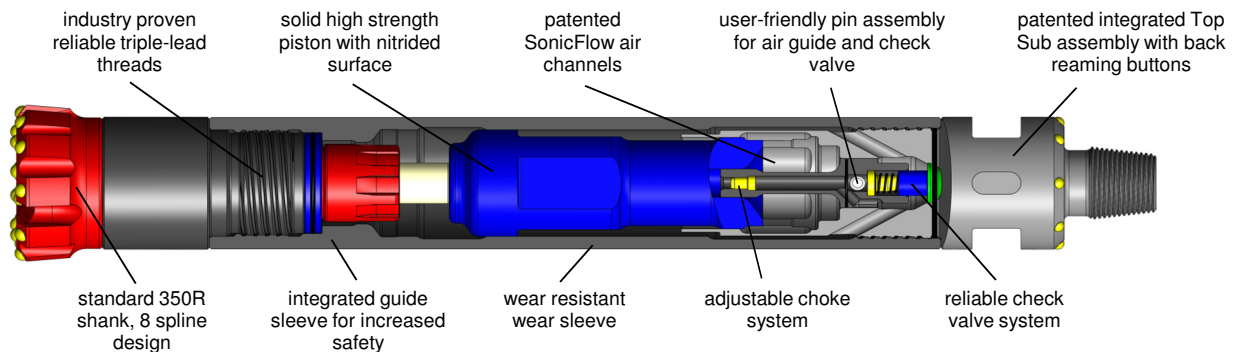
**Applications:**

- Mining / Blast Hole
- Construction / Quarry
- Water-Well
- Environmental
- Exploration
- Geothermal

**SonicFlow Technology** greatly improves the air flow characteristics within the ROK hammer and ensures that the high pressure air paths are optimized to deliver greater energy to the piston. This is achieved by incorporating scientific air flow concepts in the design of the hammer and its various components such as the Top Sub, Piston, and Wear Sleeve. This technology results in more impact energy to the bit and produces higher penetration rates and better overall hammer performance.



**Innovative Design Features**



ROCKMORE International, Inc. 10065 S.W. Commerce Circle; Wilsonville, OR 97070, USA

Tel: +1-503-682-1001; Fax: +1-503-682-1002; info@rockmore-intl.com

ROCKMORE International GmbH Collini - Strasse 2; A-8750 Judenburg - Austria

Tel: +43 3572 86 300-0; Fax: +43 3572 84 179; austria@rockmore-intl.at

www.rockmore-intl.com

Rev. 10-28-19

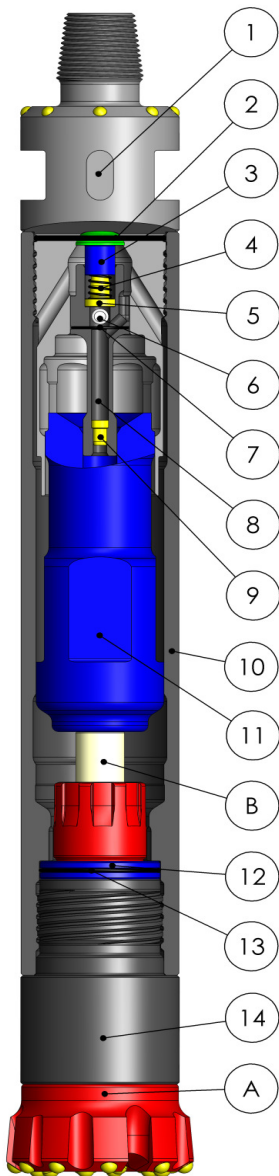


**ROCKMORE**  
INTERNATIONAL  
Rock Drilling Tools



**Integrated SonicFlow  
Technology**

# ROK 55A-350R-004



Patented

## Parts List

Item	Part Number	Description
	ROK 55A-350R-004	DTH Hammer, 55A, 350R, 3-1/2" API Reg Pin
1	500TS-012	Top Sub, 3-1/2" API Reg Pin with Back Reaming Buttons
2	R2-342	O-Ring, 3.600" X 0.210"
3	CV-002	Check Valve, Rubber
4	SP-001	Spring
5	SR-002	Spring Rest
6	PN-003	Pin, 0.625" Dia, 3.5" L
7	R2-135	O-Ring, 1.925" X 0.103"
8	AG-001	Air Guide
9	CH-005	Choke, Nylon
10	500WS-009	Wear Sleeve
11	PT-030	Piston
B	BT350R-1004	350R Blow Tube
12	R2-234	O-Ring, 2.984" X 0.139"
13	BR-013	Bit Retainer Ring
14	500DS-004	Driver Sub
A	DTH Bit	350R Shank
	CHSET-002	Choke Set, Nylon, 1 each of CH-006 - 1/16" (2mm), CH-007 - 1/8" (3mm), CH-008 - 3/16" (5mm)

## Operating Parameters

Air Pressure	Air Consumption
10.4 Bar [150 PSI]	5.5 m <sup>3</sup> /min [193 SCFM]
17.2 Bar [250 PSI]	14.4 m <sup>3</sup> /min [508 SCFM]
24.1 Bar [350 PSI]	23.7 m <sup>3</sup> /min [837 SCFM]
Oil consumption at 24.1 Bar (350 PSI):	0.5 l/hr [0.13 gallon/hr]
Recommended rotation speed:	20 r/min to 70 r/min
Minimum diameter difference between wear sleeve and bit:	10 mm [0.39"]

## Technical Specifications

Standard Top Sub	3-1/2" API Reg Pin
Bit shank type	350R
Recommended bit diameter, mm [in]	140 to 152 [5.5 to 6.0]
Outside diameter, mm [in]	125 [4.9]
Wear sleeve discard diameter, mm [in]	109 [4.3]
Wrench flat size on Top Sub, mm [in]	94 [3.7]
Length without drill bit, mm [in]	1037 [40.8]
Weight without drill bit, kg [lbs]	62.8 [138.5]

ROCKMORE  
International, Inc.  
10065 S.W. Commerce Circle  
Wilsonville, OR 97070, USA  
Tel: +1-503-682-1001  
Fax: +1-503-682-1002  
info@rockmore-intl.com

ROCKMORE  
International GmbH  
Collini - Strasse 2  
A-8750 Judenburg - Austria  
Tel: +43 3572 86 300-0  
Fax: +43 3572 84 179  
austria@rockmore-intl.at