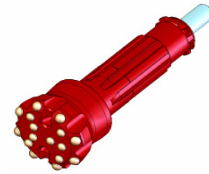




**ROCKMORE**  
INTERNATIONAL  
*Rock Drilling Tools*



<b>DTH HAMMER</b>	<b>ROK 400-025</b>	2-3/8" API Reg Box
		<b>Recommended Bit Diameter</b> 110 - 125mm [4.3" - 4.9"]



**Features:**

- High Performance Design
- Integrated SonicFlow Technology
- Patented Innovations
- Superior Penetration Rates
- Reduced Number of Components
- Easy Assembly / Maintenance
- Advanced Materials / Heat-Treatment
- Extended Service Life

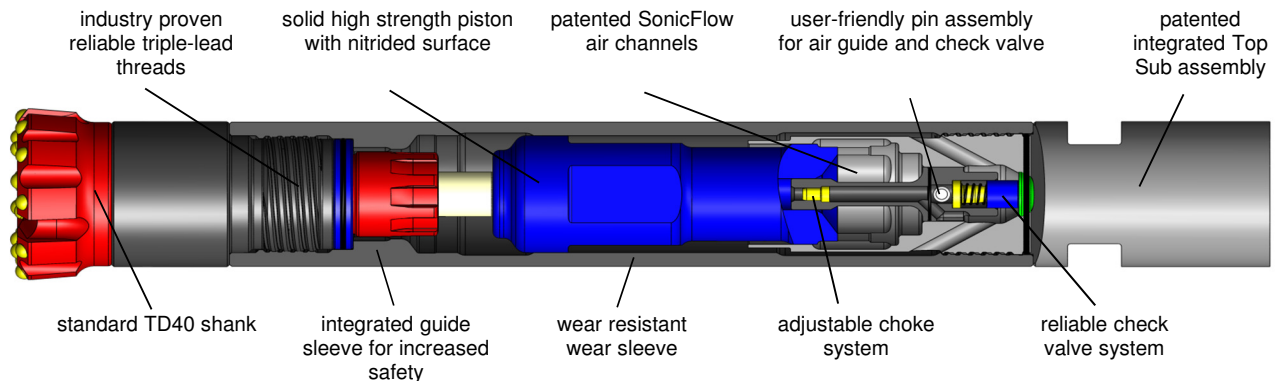
**SonicFlow Technology** greatly improves the air flow characteristics within the ROK hammer and ensures that the high pressure air paths are optimized to deliver greater energy to the piston. This is achieved by incorporating scientific air flow concepts in the design of the hammer and its various components such as the Top Sub, Piston, and Wear Sleeve. This technology results in more impact energy to the bit and produces higher penetration rates and better overall hammer performance.



**Applications:**

- Mining / Blast Hole
- Environmental
- Geothermal
- Construction / Quarry
- Exploration

**Innovative Design Features**



ROCKMORE International, Inc. 10065 S.W. Commerce Circle; Wilsonville, OR 97070, USA  
Tel: +1-503-682-1001; Fax: +1-503-682-1002; info@rockmore-intl.com

ROCKMORE International GmbH Collini - Strasse 2; A-8750 Judenburg - Austria  
Tel: +43 3572 86 300-0; Fax: +43 3572 84 179; austria@rockmore-intl.at

www.rockmore-intl.com

Rev. 10-28-19



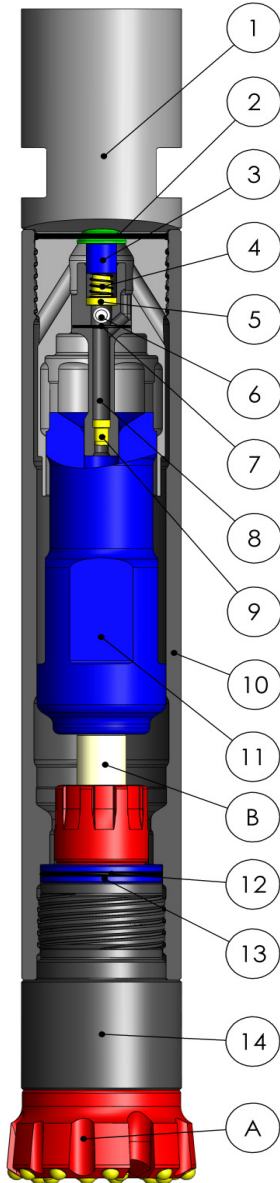
**ROCKMORE**  
INTERNATIONAL

Rock Drilling Tools



**Integrated SonicFlow  
Technology**

# ROK 400-025



Patented

## Parts List

Item	Part Number	Description
	ROK 400-025	DTH Hammer, 400, TD40, 2-3/8" API Reg Box
1	400TS-005	Top Sub, 2-3/8" API Reg Box
2	R2-234	O-Ring, 2.984" X 0.139"
3	CV-001	Check Valve
4	SP-001	Spring
5	SR-002	Spring Rest
6	PN-002	Pin, 0.625" Dia, 3.0" L
7	R2-135	O-Ring, 1.925" X 0.103"
8	AG-002	Air Guide
9	CH-005	Choke, Nylon
10	400WS-001	Wear Sleeve
11	PT-021	Piston
B	BTDD40-1022	TD40 Blow Tube
12	R2-229	O-Ring, 2.359" X 0.139"
13	BR-012	Bit Retainer Ring
14	400DS-021	Driver Sub
A	DTH Bit	TD40 Shank
	CHSET-002	Choke Set, Nylon, 1 each of CH-006 - 1/16" (2mm), CH-007 - 1/8" (3mm), CH-008 - 3/16" (5mm)

## Operating Parameters

Air Pressure	Air Consumption
10.4 Bar [150 PSI]	5.8 m3/min [210 SCFM]
17.2 Bar [250 PSI]	10.4 m3/min [378 SCFM]
24.1 Bar [350 PSI]	15.3 m3/min [556 SCFM]
Oil consumption at 24.1 Bar (350 PSI):	0.4 l/hr [0.1 gallon/hr]
Recommended rotation speed:	25 r/min to 80 r/min
Minimum diameter difference between wear sleeve and bit:	10 mm [0.39"]

## Technical Specifications

Standard Top Sub	2-3/8" API Reg Box
Bit shank type	TD40
Recommended bit diameter, mm [in]	110 to 125 [4.3 to 4.9]
Outside diameter, mm [in]	98 [3.9]
Wear sleeve discard diameter, mm [in]	91 [3.6]
Wrench flat size on Top Sub, mm [in]	64 [2.5]
Length without drill bit, mm [in]	898 [35.4]
Weight without drill bit, kg [lbs]	32.1 [70.8]

ROCKMORE  
International, Inc.  
10065 S.W. Commerce Circle  
Wilsonville, OR 97070, USA  
Tel: +1-503-682-1001  
Fax: +1-503-682-1002  
info@rockmore-intl.com

ROCKMORE  
International GmbH  
Collini - Strasse 2  
A-8750 Judenburg - Austria  
Tel: +43 3572 86 300-0  
Fax: +43 3572 84 179  
austria@rockmore-intl.at