



ROCKMORE
INTERNATIONAL
Rock Drilling Tools



2-3/8" API Reg Pin
Heavy Duty Bit Retainer Rings
IR 3.5 HD Driver Sub

DTH HAMMER

ROK 350-002

Recommended Bit Diameter
95 - 105mm [3.7 - 4.1 in]



Features:

- High Performance Design
- Integrated SonicFlow Technology
- Patent Pending Innovations
- Superior Penetration Rates
- Reduced Number of Components
- Easy Assembly / Maintenance
- Advanced Materials / Heat-Treatment
- Extended Service Life

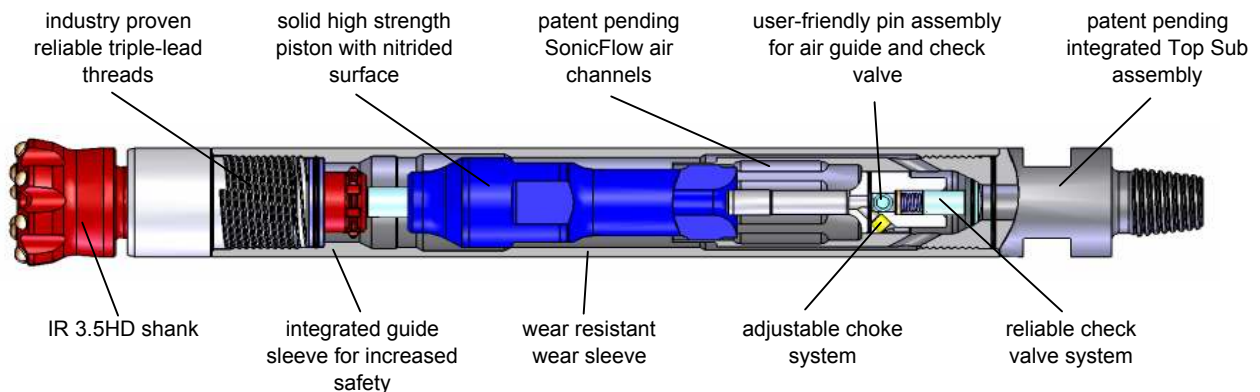
SonicFlow Technology greatly improves the air flow characteristics within the ROK hammer and ensures that the high pressure air paths are optimized to deliver greater energy to the piston. This is achieved by incorporating scientific air flow concepts in the design of the hammer and its various components such as the Top Sub, Piston, and Wear Sleeve. This technology results in more impact energy to the bit and produces higher penetration rates and better overall hammer performance.



Applications:

- Mining / Blast Hole
- Environmental
- Geothermal
- Construction / Quarry
- Exploration

Innovative Design Features



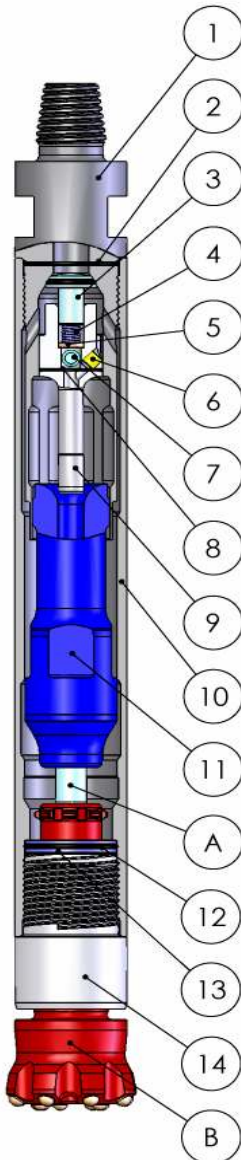
ROCKMORE International, Inc. 10065 S.W. Commerce Circle; Wilsonville, OR 97070, USA
Tel: +1-503-682-1001; Fax: +1-503-682-1002; info@rockmore-intl.com
ROCKMORE International GmbH Gusstahlwerkstrasse 21; A-8750 Judenburg - Austria
Tel: +43 3572 86 300-0; Fax: +43 3572 84 179; austria@rockmore-intl.com

www.rockmore-intl.com

Rev. 7-13-09

**Integrated SonicFlow
Technology**

ROK 350-002



Patent Pending

Parts List

Item	Part Number	Description
	ROK 350-002	DTH Hammer, 350, IR 3.5HD, 2-3/8 in API Reg Pin
1	350TS-001	Top Sub, 2-3/8 in API Reg Pin
2	R2-230	O-Ring, 2.484 in X 0.139 in
3	CV-001	Check Valve
4	SP-001	Spring
5	SR-002	Spring Rest
6	CH-001	Choke
7	PN-004	Pin, 0.625 in Dia, 2.75 in L
8	R2-135	O-Ring, 1.925 in X 0.103 in
9	AG-002	Air Guide
10	350WS-001	Wear Sleeve
11	PT-004	Piston
A	BTIR35HD-1018	IR 3.5HD Blow Tube
12	R2-226	O-Ring, 1.984 in X 0.139 in
13	BR-005	Bit Retainer Ring
14	350DS-002	Driver Sub
B	DTH Bit	IR 3.5HD Shank

Operating Parameters

Air Pressure	Air Consumption
10.4 Bar [150 PSI]	4.9 m ³ /min [178 SCFM]
17.2 Bar [250 PSI]	8.5 m ³ /min [309 SCFM]
24.1 Bar [350 PSI]	12.3 m ³ /min [448 SCFM]
Oil consumption at 24.1 Bar (350 PSI):	0.3 l/hr [0.08 gallon/hr]
Recommended rotation speed:	35 r/min to 95 r/min
Minimum diameter difference between wear sleeve and bit:	10 mm [0.39 in]

Technical Specifications

Standard Top Sub	2-3/8" API Reg Pin
Bit shank type	IR 3.5HD
Recommended bit diameter, mm [in]	95 to 105 [3.7 to 4.1]
Outside diameter, mm [in]	85 [3.4]
Wear sleeve discard diameter, mm [in]	78 [3.1]
Wrench flat size on Top Sub, mm [in]	64 [2.5]
Length without drill bit, mm [in]	838 [33.0]
Weight without drill bit, kg [lbs]	22 [49]

ROCKMORE
International, Inc.
10065 S.W. Commerce Circle
Wilsonville, OR 97070, USA
Tel: +1-503-682-1001
Fax: +1-503-682-1002
info@rockmore-intl.com

ROCKMORE
International GmbH
Gussstahlwerkstrasse 21
A-8750 Judenburg - Austria
Tel: +43 3572 86 300-0
Fax: +43 3572 84 179
austria@rockmore-intl.com